

# RULES OF THE SOUTH AFRICAN DOG AGILITY ASSOCIATION

## TABLE OF CONTENTS

<b>Section</b>	<b>Topic.</b>
1.	Introduction to SADAA.
2.	Principles of Agility Trials.
3.	Eligibility.
4.	Size Categories.
5.	Classes and Titles.
5.1	- Agility Classes.
5.2	- Jumping Classes.
5.3	- Titles.
6.	Trials.
6.1	- Club Trials.
6.2	- Regional Trials.
6.3	- Entries for Trials.
6.4	- Management of Trials.
6.4.1	- Responsibilities of the Host Club.
6.4.2	- Disputes and Misconduct.
6.4.3	- Running of Classes.
6.5	- The Exercise.
7.	Timing.
8.	Penalties.
8.1	- General.
8.2	- Course Faults.
8.3	- Time Faults.
8.4	- Refusals.
8.5	- Course Faults and Refusals – Procedure to be followed by Competitors.
8.6	- Faults at Specific Obstacles.
8.7	- Eliminations.
9.	Results.
10.	Training and Qualification of Judges.
11.	Course Design.
11.1	- Aims of Good Course Design.
11.2	- Restrictions.
12.	Specifications of the Obstacles.
12.1	- General.
12.2	- Description and Dimensions.
13.	SADAA National Trials.
13.1	Timing and Venue.
13.2	Qualifying Criteria.
13.3	Format of the National Trials.
Appendix 1	Diagrams of the Obstacles.
Addendum 1	IFCS Qualifications Regulations
Addendum 2	SADAA Snooker Rules

## **1. INTRODUCTION.**

The South African Dog Agility Association (hereafter referred to as SADAA) was established in 2001 to promote the sport of Dog Agility in South Africa. SADAA is affiliated to the South African Working Dogs Association (SAWDA), which is the umbrella body for several Working Dog disciplines in South Africa. This document focuses on the running of Agility Trials. For information on the organisation of SADAA, refer to the document 'South African Dog Agility Association Constitution'.

## **2. PRINCIPLES OF AGILITY TRIALS.**

Agility is a challenge and a competition to be enjoyed by handler, dog and spectator. The main elements of the sport are good sportsmanship and fun for the dog and handler. It is a sport which is open to all dogs, without regard for pedigree.

Agility Trials should test the ability of the dog and its handler to work as a smoothly functioning team. The dog should be under control at all times and show a willingness to work with the handler.

## **3. ELIGIBILITY.**

3.1 Handlers and owners of dogs participating in SADAA events must be paid-up members of SADAA. (Refer to the SADAA Constitution).

3.2 Judges must be current members of SADAA. (Refer to the SADAA Constitution).

3.3 Dogs competing in SADAA events must be registered with SAWDA. (Refer to the SAWDA Constitution).

3.4 No dog or person entering SADAA Trials shall be under suspension or disqualification by SAWDA or SADAA. (Refer to the SAWDA and SADAA Constitutions).

3.5 Dogs must be at least 18 months old before they will be allowed to compete in any SADAA event. There is no leeway in the dog's age, even by one day. The dog must be a minimum of 18 months old on the day of the trial in which the dog is to compete.

3.6 Each dog competing in SADAA trials will, on application by the owner, be issued with a Record Book by the Regional SADAA Director. The Record Book will only be issued once the dog has reached the age of 18 months. The Record Book Number must be the same as the Dog's SAWDA Registration Number and the book must also show the Owner's SADAA Membership Number. The book must indicate the size category in which the dog is eligible to compete (refer to Section 4).

The Record Book will be used to record the dog's progress through the levels in Agility and Jumping Classes and must be handed in to the stewards before the commencement of all SADAA Trials.

Each Regional Director must keep a Register of Record Books issued in his Region.

## **4. SIZE CATEGORIES.**

4.1 In all SADAA Trials and Fun Events dogs will compete in the category determined by their size:

'Maxi' Category: dogs over 50cm at the withers.

'Medium' Category: dogs 50cm and under at the withers.

'Mini' Category: dogs 40cm and under at the withers.

'Toy' Category: dogs 30cm and under at the withers.

'Tiny' Category: dogs 25cm and under at the withers.

4.2 A Dog that is close to one of the height limits will be measured to determine its size category. A dog must be measured prior to competing for the first time in a SADAA trial. The measuring must be done by a qualified Judge or a Regional SADAA Director. The dog's height at the withers in centimetres and the applicable Category must be entered on the Record Book, which must also be signed and dated by the person who has done the measuring.

4.3 The dimensions of certain obstacles will differ for the five size categories. In addition, certain obstacles will not be permitted in the Tiny dog classes. Refer to Section 12.2

## **5. CLASSES AND TITLES.**

### **5.1 AGILITY CLASSES:**

5.1.1 In Agility Classes the course may include all obstacles listed in Section 12.1.

Qualifications will only be recognised at official SADAA Club Trials and Regional Trials.

Any dog that has not previously entered a SADAA Agility Trial must begin in Agility 1, unless it has qualified to a higher level under another recognised canine body, in which case proof of the qualification must be provided and the dog's SADAA Agility Record Book must be endorsed to this effect when it is issued. The dog may then enter the higher Class.

#### **5.1.2 Agility 1.**

5.1.2.1 A dog must qualify three (3) times in Agility 1, after which it must progress to Agility 2.

5.1.2.2 A qualification is achieved by having a clear round (zero faults). These can be obtained at Club Trials or Regional Trials.

#### **5.1.3 Agility 2.**

5.1.3.1 A dog must qualify three (3) times in Agility 2, after which it must progress to Agility 3.

5.1.3.2 A qualification is achieved by having a clear round (zero faults). These can be obtained at Club Trials or Regional Trials.

#### **5.1.4 Agility 3.**

5.1.4.1 Agility 3 is divided into two(2) classes, namely Champion and Performance Champion. Both will be determined by a point system and by achieving a clear round (zero faults). Champion status will be determined on first place points only and Performance champion status will be determined on placing points only. Points can be gained at Regional Trials only. Qualifying Certificates gained under other recognised canine bodies will not count towards SADAA Agility Champion status (refer to paragraph 5.3.5).

5.1.4.2	Placing	1-7 dogs	Over 7 dogs
	1	6	12
	2	4	8
	3	3	6
	4	2	4
	5	1	2
	6	1	1
	7	1	1
	8	1	1
	9	1	1
	10	1	1

5.1.4.3 Refer to Sections 5.3.2 and 5.3.3 with regard to Agility Certificates and Titles.

## 5.2 JUMPING CLASSES:

5.2.1 In Jumping Classes, the course must exclude the three Contact obstacles referred to in Section 12.1.1. Qualifications will only be recognised at official SADAA Club Trials and Regional Trials.

Any dog that has not previously entered a SADAA Jumping Trial must begin in Jumping 1, unless it has qualified to a higher level under another recognised canine body, in which case proof of the qualification must be provided and the dog's SADAA Jumping Record Book must be endorsed to this effect when it is issued. The dog may then enter the higher Class.

### 5.2.2 Jumping 1.

5.2.2.1 A dog must qualify three (3) times in Jumping 1, after which it must progress to Jumping 2.

5.2.2.2 A qualification is achieved by having a clear round (zero faults). These can be obtained at Club Trials or Regional Trials.

### 5.2.3 Jumping 2.

5.2.3.1 A dog must qualify three (3) times in Jumping 2, after which it must progress to Jumping 3.

5.2.3.2 A qualification is achieved by having a clear round (zero faults). These can be obtained at Club Trials or Regional Trials.

### 5.2.4 Jumping 3.

5.2.4.1 Jumping 3 is divided into two(2) classes, namely Champion and Performance Champion. Both will be determined by a point system and by achieving a clear round (zero faults). Champion status will be determined on first place points only and Performance Champion status will be determined on placing points only. Points can be gained at Regional Trials only.

Qualifying Certificates gained under other recognised canine bodies will not count towards SADAA Jumping Champion status (refer to paragraph 5.3.5).

5.2.4.2	Placing	1-7 dogs	Over 7 dogs
	1	6	12
	2	4	8
	3	3	6
	4	2	4
	5	1	2
	6	1	1
	7	1	1
	8	1	1
	9	1	1
	10	1	1

5.2.4.3 Refer to Sections 5.3.2 and 5.3.3 with regard to Jumping Certificates and Titles.

## 5.3 TITLES.

### 5.3.1 AGILITY.

#### 5.3.1.1 AGILITY 1 DOG:

A dog that has qualified three (3) times in Agility 1 will be awarded the 'Agility 1' Certificate.

#### 5.3.1.2 AGILITY 2 DOG:

A dog that has qualified three (3) times in Agility 2 will be awarded the 'Agility 2' Certificate.

#### 5.3.1.3 AGILITY 3 DOG:

A dog that has recorded ten (10) clear rounds in Agility 3 will be awarded the 'Agility 3' Certificate. These can be obtained at Club Trials or Regional Trials.

5.3.1.4 For dogs that have achieved the Agility Titles specified in paragraphs 5.3.1.1, 5.3.1.2 and 5.3.1.3, the onus will be on the Handler to submit a copy of the Dog's Record Book to the local Regional Director, who will verify the dog's qualifications and issue the relevant Certificate. The dog's title will be recorded on the SADAA database.

#### 5.3.1.5 AGILITY CHAMPION:

A dog awarded sixty (60) points from wins (clear rounds only) in Agility 3 at Regional Trials, will qualify as an 'Agility Champion' and a Certificate to this effect will be issued.

#### 5.3.1.6 AGILITY CHAMPION II:

- A dog awarded hundred and twenty (120) points from wins (clear rounds only) in Agility 3 at Regional Trials, will qualify as an 'Agility Champion II' and a Certificate to this effect will be issued.
- 5.3.1.7 **AGILITY CHAMPION III:**  
A dog awarded hundred and eighty (180) points from wins (clear rounds only) in Agility 3 at Regional Trials, will qualify as an 'Agility Champion III' and a Certificate to this effect will be issued.
- 5.3.1.8 **AGILITY GRAND CHAMPION:**  
A dog awarded two hundred and forty (240) points from wins (clear rounds only) in Agility 3 at Regional Trials, will qualify as an 'Agility Grand Champion' and a Certificate to this effect will be issued.
- 5.3.1.9 For dogs that have been awarded the required number of points for the agility titles specified in paragraphs 5.3.1.5 to 5.3.1.8, the onus will be on the Handler to submit a copy of the Dog's Record Book to the local Regional Director, who will verify the dog's qualifications and issue the relevant Certificate. The dog's title will be recorded on the SADAA database.
- 5.3.1.10 The above mentioned information in paragraph 5.3.1.5 to 5.3.1.8 pertaining to Agility Champion Status also applies to the Agility Performance Champion status with the exception that points will only be awarded for a clear round placing.
- 5.3.2 **JUMPING.**
- 5.3.2.1 **JUMPING 1 DOG:**  
A dog that has qualified three (3) times in Jumping 1 will be awarded the 'Jumping 1' Certificate.
- 5.3.2.2 **JUMPING 2 DOG:**  
A dog that has qualified three (3) times in Jumping 2 will be awarded the 'Jumping 2' Certificate.
- 5.3.2.3 **JUMPING 3 DOG:**  
A dog that has recorded ten (10) clear rounds in Jumping 3 will be awarded the 'Jumping 3' Certificate. These can be obtained at Club Trials or Regional Trials.
- 5.3.2.4 For dogs that have achieved the Jumping Titles specified in paragraphs 5.3.2.1, 5.3.2.2 and 5.3.2.3, the onus will be on the Handler to submit a copy of the Dog's Record Book to the local Regional Director, who will verify the dog's qualifications and issue the relevant Certificate. The dog's title will be recorded on the SADAA database.
- 5.3.2.5 **JUMPING CHAMPION:**  
A dog awarded sixty (60) points from wins (clear rounds only) in Jumping 3 at Regional Trials, will qualify as an 'Jumping Champion' and a Certificate to this effect will be issued.
- 5.3.2.6 **JUMPING CHAMPION II:**  
A dog awarded hundred and twenty (120) points from wins (clear rounds only) in Jumping 3 at Regional Trials, will qualify as an 'Jumping Champion II' and a Certificate to this effect will be issued.
- 5.3.2.7 **JUMPING CHAMPION III:**  
A dog awarded hundred and eighty (180) points from wins (clear rounds only) in Jumping 3 at Regional Trials, will qualify as an 'Jumping Champion III' and a Certificate to this effect will be issued.
- 5.3.2.8 **JUMPING GRAND CHAMPION:**  
A dog awarded two hundred and forty (240) points from wins (clear rounds only) in Jumping 3 at Regional Trials, will qualify as an 'Jumping Grand Champion' and a Certificate to this effect will be issued.
- 5.3.2.9 For dogs that have been awarded the required number of points for the jumping titles specified in paragraphs 5.3.2.5 to 5.3.2.8, the onus will be on the Handler to submit a copy of the Dog's Record Book to the local Regional Director, who will verify the dog's qualifications and issue the relevant Certificate. The dog's title will be recorded on the SADAA database.
- 5.3.2.10 The above mentioned information in paragraph 5.3.2.5 to 5.3.2.8 pertaining to Jumping Champion Status also applies to the Jumping Performance Champion status with the exception that points will only be awarded for a clear round placing.
- 5.3.3 **DUAL TITLES.**
- 5.3.3.1 **MASTER AGILITY CHAMPION.**  
A dog that has become an Agility Champion and a Jumping Champion will be awarded the title 'Master Agility Champion' and a Certificate to this effect will be issued. The onus will be on the handler to submit copies of the Agility and Jumping Champion Certificates to the Regional Director who will issue the Master Agility Champion Certificate. The dog's title will be recorded on the SADAA database.
- 5.3.3.2 **ELITE AGILITY CHAMPION**  
A dog that has become an Agility Grand Champion and a Jumping Grand Champion will be awarded the title 'Elite Agility Champion' and a plaque to this effect will be issued. The onus will be on the handler to submit copies of the Agility and Jumping Grand Champion Certificates to the Regional Director who will issue the Elite Agility Champion Plaque. The dog's title will be recorded on the SADAA database.
- 5.3.4 **REGION CLASSIFICATION – POINT SYSTEM ONLY**

At least 24 Points towards Championship and Performance Championship Status must be obtained from regional trials other than regional trials held in your own region. Due to the close geographical proximity of Gauteng and North West Province, handlers from either of these regions can not claim away points from each other's regional trials. (Example: A dog cannot qualify as a Champion or Performance Champion if it only attends the Gauteng and North West trials every year and still manages to earn enough points for a title as specified in paragraph 5.3.1.5 to 5.3.1.8 and paragraph 5.3.2.5 to 5.3.2.8. Handlers from other provinces can claim points as away points from both Gauteng and North West Province Regional Trials.

The regions are defined as follows:

- Western Province
- Boland
- Gauteng/North West
- Free State
- Eastern Province
- Border
- Southern Cape
- Kwa-Zulu Natal

#### 5.3.5 RECOGNITION OF TITLES GAINED UNDER OTHER CANINE BODIES.

No Championship Qualifying Certificates or Titles gained under other canine bodies will count towards any of the SADAA Titles mentioned in sections 5.3.1 to 5.3.3.

### 6. TRIALS.

SADAA affiliated Clubs wishing to hold Trials must undertake to comply with all the requirements set out in these Rules and in the SADAA Constitution.

Each Trial will be allocated a unique number by the Trials Administrator. This number must appear on the Trials Schedule and be used by competitors when completing their entry forms. Judges must specify the Trial number on the record book when updating a dog's qualifying record. All Trials documentation such as score sheets, etc must show the Trial number.

#### 6.1 CLUB TRIALS:

6.1.1 Club Trials must include all of the recognised Classes referred to in Sections 5.1 and 5.2 and may also include Fun events. Points towards Champion and Performance Champion Status in Agility or Jumping are not awarded at Club Trials.

6.1.2 Club Trials may be held throughout the year. The only restriction is that the number of Trials per Region may not exceed 20 per calendar year.

6.1.3 Clubs may apply to the Regional SADAA Director for a permit to hold Club Trials. Applications must be submitted in writing at least 2 weeks before the proposed Trials date and be accompanied by the appropriate fees.

#### 6.2 REGIONAL TRIALS:

6.2.1 Regional Trials must include all of the recognised Classes referred to in Sections 5.1 and 5.2.

Points towards Champion and Performance Champion Status in Agility or Jumping are only awarded at Regional Trials.

6.2.2 Each Region may hold a maximum of four Regional Trials per calendar year. These should be scheduled as a group of Trials, ideally over a weekend. It is at the discretion of the hosting region to either drop a trial and/or replace it with a games trial.

Regions must apply to the National SADAA Board for a permit to hold Regional Trials. Applications must be submitted in writing at least two months before the proposed Trials date and be accompanied by the appropriate fees.

6.2.3 The allocation of dates for Regional Trials will be controlled by the National SADAA Board, to ensure that there are no date clashes between the Regions.

Dates for Regional Trials will be published at the beginning of each calendar year so that the Regions can schedule their Club Trials accordingly.

6.2.4 The results of the Agility 3 and Jumping 3 Classes will be used as qualifying scores for the annual SADAA National Trials referred to in Section 13.

#### 6.2.5

The following SADAA Medals are awarded as follows:

Maxi size category at Regional Trials, provided that the dogs have clear rounds:

- Gold medal awarded to 1<sup>st</sup> Place in Agility 3 and 1<sup>st</sup> Place in Jumping 3.
- Silver medal awarded to 2<sup>nd</sup> Place in Agility 3 and 2<sup>nd</sup> Place in Jumping 3.
- Bronze medal awarded to 3<sup>rd</sup> Place in Agility 3 and 3<sup>rd</sup> Place in Jumping 3.

Medium size category at Regional Trials, provided that the dogs have clear rounds:

- Gold medal awarded to 1<sup>st</sup> Place in Agility 3 and 1<sup>st</sup> Place in Jumping 3.
- Silver medal awarded to 2<sup>nd</sup> Place in Agility 3 and 2<sup>nd</sup> Place in Jumping 3.
- Bronze medal awarded to 3<sup>rd</sup> Place in Agility 3 and 3<sup>rd</sup> Place in Jumping 3.

Mini size category at Regional Trials, provided that the dogs have clear rounds:

- Gold medal awarded to 1<sup>st</sup> Place in Agility 3 and 1<sup>st</sup> Place in Jumping 3.
- Silver medal awarded to 2<sup>nd</sup> Place in Agility 3 and 2<sup>nd</sup> Place in Jumping 3.
- Bronze medal awarded to 3<sup>rd</sup> Place in Agility 3 and 3<sup>rd</sup> Place in Jumping 3.

Toy size category at Regional Trials, provided that the dogs have clear rounds:

- Gold medal awarded to 1<sup>st</sup> Place in Agility 3 and 1<sup>st</sup> Place in Jumping 3.
- Silver medal awarded to 2<sup>nd</sup> Place in Agility 3 and 2<sup>nd</sup> Place in Jumping 3.
- Bronze medal awarded to 3<sup>rd</sup> Place in Agility 3 and 3<sup>rd</sup> Place in Jumping 3.

Tiny Size Category at Regional Trials, provided that the dogs have clear rounds:

- Gold medal awarded to 1<sup>st</sup> Place in Agility 3 and 1<sup>st</sup> Place in Jumping 3.
- Silver medal awarded to 2<sup>nd</sup> Place in Agility 3 and 2<sup>nd</sup> Place in Jumping 3.
- Bronze medal awarded to 3<sup>rd</sup> Place in Agility 3 and 3<sup>rd</sup> Place in Jumping 3.

#### 6.2.6

The top dog in each size category at each set of Regional Trials will receive the local Scamper Floating Trophy which will remain in the possession of the hosting Region. It will be the hosting regions responsibility to have their trophy engraved with the appropriate details by an engraver of their choice. The winner of Maxi and Midi dog category will be engraved on the same plate as well as the winner of the Mini, Toy and Tiny dog category. The hosting region will further be responsible to have a professional photograph taken of the winners of each category with the trophy. Only dogs that compete in Agility 3 and Jumping 3 in at least three of the Regional Trials will be eligible to win the trophy.

#### 6.2.7

##### POINT ALLOCATION SYSTEM – OVERALL WINNER

Allocation of points:

- Clear Round
  1. 15 points will be allocated to each dog with a clear round.
  2. 1 additional point will be allocated to each dog for every two seconds faster than the SCT.
- Fault Round
  1. As a norm each dog will be allocated 13 points for faulted rounds.
  2. For every 2.5 faults incurred, one point will be deducted from the total of 13 and so on.
- Elimination Round
  - 25 points will be allocated for all elimination rounds.

Calculation of overall winner

1. Combine the total points, dogs' time and course length for Agility and Jumping rounds to get a total for each trial.
2. Combine points, dogs' time and course length for all the trials.
3. Subtract the worst trial (Agility and Jumping) score in the case of a region hosting 4 regional trials, which will be the trial with the least amount of points.
4. In the case of a region only hosting 3 Regional Trials, the scores of all three trials will count.
5. The dog with the most points over three trials will be the winner.
6. If two or more dogs have the same points, the dog with the fastest combined (m/s) will be the winner and so on.

#### 6.2.8

Competing judges officiating at Regional Trials as a judge are allowed to jump their own courses and must be judged by another senior judge officiating at the trials. The judge will be first on line. However the judge still has the choice not to compete with his/her own dog/s. The judge not competing on his/her own course is still eligible for the overall winner title. The judge will be given for each dog he competes with an average point, dogs' time and course length for the trial/s they are not competing in to determine their scores.

### 6.3

#### ENTRIES FOR TRIALS:

#### 6.3.1

Entries for Trials must be submitted to the host Club at least three weeks before the Trials in the case of Regional Trials and one week before the Trials in the case of Club Trials.

#### 6.3.2

Entries must be submitted on an official SADAA Entry Form, which must include the Registration number(s) of the dog(s) and the Handler's and Owner's Membership numbers.

The Entry Form must be accompanied by the relevant entry fees.

The Host Club may accept entries that have been sent electronically, i.e. entry forms sent via fax or email attachments, with entry fees being deposited directly into the Club's bank account.

#### 6.3.3

A dog may be entered in a Class in anticipation of the dog qualifying to compete in that Class at a previous Trial. If the dog does not qualify in advance of the Trial, it must compete in the lower Class.

It is permissible for a dog to compete in a higher Class than the Class entered in advance of a Trial, provided that the dog has qualified out of the lower Class prior to the Trial.

#### 6.3.4

Judges may compete in Classes that they are not judging.

Dogs and/or handlers may enter Trials under a Judge who resides in the same household or is a member of the same Club.

## **6.4 MANAGEMENT OF TRIALS.**

### **6.4.1 RESPONSIBILITIES OF THE HOST CLUB.**

- 6.4.1.1 To appoint a SADAA Judge who is suitably qualified to judge the Classes being offered at the Trials. When a Judge from another area is being appointed, the Club will come to an arrangement with the Judge regarding the reimbursement of travel and accommodation expenses.
- 6.4.1.2 To distribute a Schedule of events in advance of the Trials, giving the date, venue, details of Classes to be held, starting times, names of Judges, entry fees, closing date for entries, methods of payment and the address to which entries must be sent.  
The Schedule must be distributed at least six weeks in advance of a Club Trial and two months in advance of a Regional Trial.  
A copy of the Schedule must be submitted to Central SADAA Administration. The methods of distributing the Schedule will be left to the Club's discretion.
- 6.4.1.3 To determine the running order for each Class in advance of the Trial. This will be done by a manual draw or by a recognised computer program designed specifically for this purpose. Handlers with more than one dog in a Class will be given a reasonable gap between dogs when the draw is made. In the higher Classes, provision must be made for dummy entries to be included in the draw, to cater for dogs that qualified up to a higher Class after entering the Trial.
- 6.4.1.4 To provide each competitor with a number for each Class, which will indicate the Class and the dog's running order, eg. AG3-21 for the dog that will be running 21<sup>st</sup> in Agility 3.
- 6.4.1.5 To ensure that all the necessary equipment is available, in good condition and conforms to SADAA specifications.
- 6.4.1.6 To provide a ring measuring 40m x 40m. The ring must be clearly demarcated and enclosed by a rope or fencing. When two rings are used they must be separated by a 10m corridor. The ground surface must be as level as possible and provide safe footing for handlers and dogs.
- 6.4.1.7 To provide all necessary score sheets which must have the details and running order of the competitors entered in advance.
- 6.4.1.8 To appoint the Judges assistants, including a scribe and at least two timekeepers. The assistants must be fully conversant with the duties they will be expected to perform.
- 6.4.1.9 To submit the necessary information to the Regional Director after the Trials, such as details of points earned at Regional Trials. The Summary Score Sheet for the Agility 3 and Jumping 3 Classes at Regional Trials must also be submitted to the Regional Director, as these will be used to determine the qualifying dogs for the annual SADAA National Trials referred to in Section 13.

### **6.4.2 DISPUTES AND MISCONDUCT.**

- 6.4.2.1 Any disputed matter requiring an immediate decision will be resolved by the Judge and the Regional Director if he/she is in attendance and not competing.  
Unresolved disputes must be reported to the Regional Director.
- 6.4.2.2 Misconduct, such as unseemly behaviour towards any Official, bad sportsmanship, harsh handling of a dog and physical or verbal abuse of a dog anywhere on the grounds at a Trial will be severely condemned. In the event of such behaviour the Judge will exclude the handler from further competition at the Trials and order the handler to forfeit any awards, prizes or qualifications and points gained at the Trials.  
Depending on the severity of the offence, an official complaint against the handler may be lodged with the Regional Director. Refer to the SADAA Constitution for more information on dealing with misconduct.
- 6.4.2.3 Written complaints must be submitted to the Regional Director. Every complaint must be dealt with within seven days.
- 6.4.2.4 If a complaint is not satisfactorily dealt with by the Regional Director, a written complaint should be forwarded to the Area Director and, if necessary, the Managing Director.

### **6.4.3 RUNNING OF CLASSES.**

- 6.4.3.1 Number of Dogs to be Judged:  
No Judge shall be required to test more than 150 dogs at one Trial. If the number of entries in Classes to be judged by one person exceeds this limit, the Committee of the host Club shall appoint an extra Judge. Ideally the extra Judge will be assigned to judge one or more of the lower Classes, so that the advertised Judge can still officiate in the highest Class, particularly at a Regional Trial where Qualifying Scores may be obtained. If two or more Judges are officiating in the Agility 3 or Jumping 3 Class at a Regional Trial and a dog competing in one of these Classes has already been awarded a Qualifying Score by one of the Judges, the handler will have the right to compete under one of the other Judges.
- 6.4.3.2 Handlers.  
A dog may be handled by different people in different Classes at a Trial, i.e. one person may handle the dog in an Agility Class and another person may handle the dog in a Jumping Class. Refer to paragraph 3.1 with regard to the eligibility of handlers.
- 6.4.3.3 Physical Condition of Competing Dogs.  
Pregnant bitches, lactating bitches, bitches in heat, lame dogs or dogs that are apparently ill or hurt are ineligible for entry, as is any dog with a deformity which may cause a judge to not be able to reasonably assess the dog's ability to perform the obstacles safely and in a manner that is in the best interest, health and welfare of the dog. Refer to paragraph 13.5.5 regarding the exception to the rule of bitches in heat. This is applicable to the National Trials only.  
A dog competing at a SADAA Trial must have a valid inoculation certificate against rabies.
- 6.4.3.4 Environmental Conditions.  
It is the responsibility of the Judge to ensure that all dogs in a Class compete under the same conditions as far as this is practical.

It shall be at the sole discretion of the Judge whether or not competition in any Agility or Jumping Class should be interrupted on account of inclement weather. Cancellation of a Trial shall be at the discretion of the Judge(s).

- 6.4.3.5 Starting Times.  
All competitors must be present at the site of the Trial at least 30 minutes before the advertised starting time for their Class.
- 6.4.3.6 Responsibilities of the Judge.
  - 6.4.3.6.1 To have a thorough knowledge of the Rules covering the Class(es) to be judged.
  - 6.4.3.6.2 To ensure that the course has been laid out correctly. The course layout must be kept confidential by the judge prior to the day of the event. At the Judge's discretion a copy of the course plan may be displayed at the ring for the competitors to view prior to the commencement of the Class.
  - 6.4.3.6.3 To measure the length of the course (following the natural path of the dog) and set the Standard Course Time and Maximum Course Time.
  - 6.4.3.6.4 To ensure that the Scribe, Timekeepers and Stewards are familiar with their duties and to brief them on any specific requirements, such as which official will give the order for a dog to commence the exercise.
  - 6.4.3.6.5 To brief the competitors prior to the commencement of the competition. The briefing must include details such as the course length, metres per second, Standard Course Time and Maximum Course Time. The Judge may also draw attention to some of the rules and ring procedures, such as waiting for the designated Official's signal to commence the exercise. The Judge may also answer questions from the competitors on any aspects of the course.
  - 6.4.3.6.6 To observe each dog's performance and signal all faults clearly to the scribe. No video or other means of instant replay may be used to determine course faults.
  - 6.4.3.6.7 Standardised judging is of paramount importance. Judges must adhere strictly to the SADAA Rules and may not introduce their own variations into the competition.
- 6.4.3.7 Responsibilities of the Competitors.
  - 6.4.3.7.1 All handlers must have a thorough knowledge of the Rules covering the Class entered.
  - 6.4.3.7.2 All dogs must remain on lead or crated and under the control of handlers at trials all the time, even during prize giving and after the trials has finished and handlers are packing up. The only time dogs can run free is when most of the handlers have left and handlers wish to stay behind to let their dogs run free. You still then need to be considerate to other handlers and dogs staying behind.
- 6.4.3.8 Dog's Qualifying Record Books.  
No Judge may permit a dog to compete in any Class that he is judging unless the handler produces the dogs Record Book showing that the dog is eligible to compete in that Class.
- 6.4.3.9 Collars.  
For safety reasons, dogs must not wear slip chains, collars or any other item while competing. Any dog wearing any of the aforementioned items while competing will be eliminated.  
This does not apply to a handler leading a dog to the start line with a leash and collar.
- 6.4.3.10 Interference with Competitors.  
The Judge shall expel from competition any dog that behaves in an uncontrollable manner, any handler who interferes wilfully with another competitor or his dog, or any bitch which appears so attractive to males as to be a disturbing element.
- 6.4.3.11 Conditions of Entry.  
When entering a SADAA Trial, the handler and owner undertake to abide by the SADAA Constitution and Rules.  
Any dog or handler entering or competing in a SADAA event does so at his own and the dog's risk.  
Any competitor who does not report for a Class by the given time will be scratched and excluded from the competition.
- 6.4.3.12 Access to the Ring.  
Handlers are only allowed in the ring when competing, walking the course or assisting with the construction and dismantling of the course.  
Before, during and after any Trial, dogs are only allowed in the ring when they are competing.  
Handlers will be allowed to warm up their dogs in an area set aside for this purpose, provided that they do not interfere with or distract competing dogs or handlers.
- 6.4.3.13 Walking the Course.  
Prior to the commencement of the Class competitors will be allowed to walk the course without their dogs and will have a minimum of five (5) minutes and a maximum of ten (10) minutes to do so at the Judge's discretion.
- 6.4.3.14 Rewarding of Dogs.  
The handler may not carry anything visible in his hands into the ring that might be construed to be an aid to the performance of the dog. Baiting, the offering of any toys, food substance or other inducement whilst in the arena will result in immediate elimination. Moonbags around the waist are permitted as long as the handler does not produce something from it for the dog whilst running the course. Handlers must place any aid (ball or toy) into their pockets before entering the ring, and it should at no time be visible to the dog.
- 6.4.3.15 Handler's Commands.  
The handler may use the dog's "call name" and may signal without penalty. The use of any kind of manufactured whistle is prohibited.
- 6.4.3.16 Additional Commands.  
The Judge must position himself in the arena to be aware at all times of physical handling or guiding of the dog by the handler.
- 6.4.3.17 Judge's Orders.  
Judge's and Steward's orders are required to be clearly spoken to be heard by everyone following the judging.
- 6.4.3.18 Abnormal Circumstances.

If, in the Judge's opinion, a dog's performance was unfairly affected by unusual circumstances, such as fallen obstacles caused by external factors, twisted chute of the cloth tunnel, etc, the Judge must re-judge the dog on the entire exercise. All penalties given before the dog's round was interrupted will still apply.

- 6.4.3.19 Indication of Faults and Eliminations.  
The judge must indicate faults by means of hand signals to the scribe. Course Faults will be indicated by an open hand and Refusals by a clenched fist.  
Eliminations must be indicated clearly by the Judge using a predetermined hand signal or an audible signal (whistle, etc.). The dog may continue the exercise and complete the course at the Judge's discretion.

## 6.5 **THE EXERCISE.**

The handler enters the ring placing the dog in either the Sit, Down or Stand position behind the start line. The dog's lead and collar are removed and handed to the steward. The handler is not permitted to have any object in his hands. The handler may position himself anywhere on the course and must start his dog on a signal from the designated official. The time will commence running as soon as the dog or handler crosses the line. A variety of commands and signals are permitted during the test. The handler must ensure that the dog traverses the obstacles in the correct order, without making any physical contact with the dog or any obstacle. The test is completed and the time stopped when the dog crosses the finish line. The steward hands the lead back to the handler. The handler puts the dog back on the lead and leaves the ring.

## 7. **TIMING.**

- 7.1 The course must be completed by the dog within a predetermined time, the Standard Course Time (SCT). The SCT is one aspect that contributes to the degree of difficulty of the exercise, in conjunction with the length and complexity of the course.

- 7.2 Determining the Standard Course Time (SCT).

- 7.2.1 The table in paragraph 7.2.2 lists the speeds for the different levels of each Class. The speed in metres per second chosen for the course will determine the SCT.

- 7.2.2 The speeds for Maxi, Medium, Mini, Toy and Tiny Dogs in metres per second are as follows:

<b>Agility (metres/sec)</b>					<b>Jumping (metres/sec)</b>				
AG	(Maxi/Medium)	Mini	Toy	Tiny	JP	(Maxi/Medium)	Mini	Toy	Tiny
1	2,00	1,75	1,75	1,75	1	2,50	2,25	2,25	2,25
2	2,50	2,25	2,25	2,20	2	3,00	2,75	2,75	2,70
3	3,20	2,75	2,60	2,50	3	4,00	3,50	3,20	3,00

The SCT (in seconds) will be determined by dividing the length of the course by the speed (in metres per second) for that class.

Example: An Agility 2 course is 150m long and the speed for maxi size dogs is 2,5 m/s. The SCT for the maxi size dogs will be  $150/2,5 = 60$  seconds.

- 7.3 Determining the Maximum Course Time (MCT).

In general, the MCT will be twice the SCT, but must not be less than 1,5 x the SCT.

A dog that exceeds the MCT will be eliminated.

## 8. **PENALTIES.**

### 8.1 **GENERAL.**

- 8.1.1 The handler must not pass between the poles that mark the start and/or finish otherwise he/she will be penalised with five (5) faults. Furthermore, the stopwatch will start running as soon as the handler or dog crosses between the poles that mark the start line or the dog crosses the plane (has a run past) of the pole that mark the start line.

- 8.1.2 A handler who deliberately touches the dog will be penalised five (5) faults on each occasion.

- 8.1.3 A handler who deliberately touches an obstacle will be penalised five (5) faults on each occasion. The only exception is when the Cloth Tunnel becomes twisted and the handler has to free the dog to prevent injury or distress to the dog.

### 8.2 **COURSE FAULTS.**

- 8.2.1 All course faults, eg. Knock-downs or missing a contact area, will be penalised with five (5) faults.

- 8.2.2 Knock Downs: It is a course fault each time any part of any obstacle is knocked down by the handler or dog in the process of negotiating the obstacle, except in the case of the corner poles of the long jump, which are only a guide for the judge to see refusals and must not be seen as part of the obstacle.

### 8.3 **TIME FAULTS.**

- 8.3.1 Time Faults are incurred for failing to complete the course within the SCT.

Exceeding the SCT is penalised with one (1) fault per second or fraction thereof to two (2) decimal places.

Example: SCT = 60 seconds; Dog's time = 62,16 seconds; Time faults = 2,16.

### 8.4 **REFUSALS.**

- 8.4.1 Besides the refusals specific to certain obstacles mentioned in Section 8.6, any of the following will be also considered as a refusal:

- A dog stopping in front of an obstacle.
- A dog stopping on the course, unless under control of the handler.
- Run past: a dog running past the plane of an obstacle that is next in sequence and having to circle or be taken back by the handler to attempt the obstacle again.
- NB: Exception: A dog that runs past the plane of a Contact obstacle, but still manages to ascend the obstacle, will not be penalised with a refusal.

### 8.5 **COURSE FAULTS AND REFUSALS – PROCEDURE TO BE FOLLOWED BY COMPETITORS.**

- 8.5.1 Refusals must be corrected immediately, i.e. the dog must re-negotiate the obstacle. Failure to do so will result in elimination.

- 8.5.2 When Course Faults are incurred the dog will be penalised but must continue its run.  
The exception is the weave poles where mistakes must be corrected immediately where they occur, or from the beginning of weave poles.
- 8.6 FAULTS AT SPECIFIC OBSTACLES.
- 8.6.1 THE DOG WALK.
- 8.6.1.1 Refusals.  
The dog jumps off the Dog Walk before touching the descending ramp with one front paw or part thereof.  
The dog runs past the beginning of the first contact area and has to be brought back to negotiate the obstacle.
- 8.6.1.2 Course Faults.  
The dog must touch the ascending contact area as well as the descending contact area with at least one paw or part thereof. One course fault is incurred for each missed contact.
- 8.6.2 THE SEE-SAW.
- 8.6.2.1 Refusals.  
The dog jumps off the See-Saw before passing the central bracket with one front paw or part thereof.  
The dog runs past the beginning of the first contact area and has to be brought back to negotiate the obstacle.
- 8.6.2.2 Course Faults.  
The dog must touch the ascending contact area as well as the descending contact area with at least one paw or part thereof. One course fault is incurred for each missed contact.  
The dog jumps off the See-Saw before it touches the ground.
- 8.6.3 THE A-FRAME.
- 8.6.3.1 Refusals.  
The dog jumps off the A-Frame before touching the descending ramp with one front paw or part thereof.  
The dog runs past the beginning of the first contact area and has to be brought back to negotiate the obstacle.
- 8.6.3.2 Course Faults.  
The dog must touch the ascending contact area as well as the descending contact area with at least one paw or part thereof. One course fault is incurred for each missed contact.
- 8.6.4 THE JUMPS.
- 8.6.4.1 Refusals.  
Running under the crossbar.  
Jumping over the wing of the hurdle.  
In the case of a double spread jump – if the dog jumps the obstacle at such an angle that the full spread is not cleared.
- 8.6.4.2 Course Faults:  
Dislodging a crossbar.
- 8.6.5 THE WEAVE POLES.  
When entering the obstacle, the first pole must be on the left of the dog, the second on the right and so on.
- 8.6.5.1 Refusals.  
Incorrect entry.  
Any part of the dog passing the first pole from the left hand side or any part of the dog passing the second pole from the right hand side.
- 8.6.5.2 Course faults.  
Missing a pole while weaving. Every fault in the weave poles must be corrected immediately. The handler must take the dog back to approximately where the fault occurred, or to the beginning of the weave poles. A handler who deliberately passes his/her hands back and forth through the weave poles will be penalized five (5) faults only. The only exception is when the dog misses a pole and the handler corrects the fault at approximately where it occurred to show the dog where to enter.  
A maximum of ten (10) course faults can be incurred in the weave poles.
- 8.6.5.3 Elimination.  
Failing to complete the weave poles correctly before going on to the next obstacle.  
Back-weaving – doing more than two gates of the obstacle from the wrong direction.  
NB- It is not an elimination if a dog crosses between any pole to the handler, trying to correct a missed pole.
- 8.6.6 THE LONG JUMP.
- 8.6.6.1 Refusals.  
Walking through the long jump.  
Jumping the obstacle at an angle such that it enters or exits the side of the jump.
- 8.6.6.2 Course Faults.  
Knocking down one of the elements.  
Landing in the jump, i.e. jumping short.
- 8.6.7 THE TYRE.
- 8.6.7.1 Refusals.  
Jumping between the tyre and the frame.
- 8.6.8 TUNNELS (RIGID AND CLOTH).
- 8.6.8.1 Refusals.  
The dog putting its head or one paw in the tunnel and coming back out again.  
The dog going into the tunnel completely and then coming out of the entrance.
- 8.7 ELIMINATIONS.  
Dogs will be eliminated for the following reasons:
- 8.7.1 Unseemly behaviour towards any Official by the handler or the dog.
- 8.7.2 Harsh treatment of the dog by the handler, including verbal abuse.
- 8.7.3 Unsportsmanlike behaviour by the handler.
- 8.7.4 Exceeding the Maximum Course Time (MCT).

- 8.7.5 Incurring three (3) refusals on the whole course.
- 8.7.6 Doing an obstacle in the wrong sequence. This includes a dog taking a short cut by crossing over or clearing another obstacle, such as jumping over a dog walk ramp, crossing over the cloth tunnel or cutting through the side of the weave poles.
- 8.7.7 Doing an obstacle from the wrong direction.
- 8.7.8 Leaving out an obstacle.
- 8.7.9 Handler taking a short cut by clearing an obstacle, such as jumping over a dog walk ramp or crossing over the cloth tunnel.
- 8.7.10 Handler holding something in his hand, which may be interpreted as an enticement for the dog.
- 8.7.11 Handler replacing the dog at the start after it has crossed the start line (unless instructed to by the Judge).
- 8.7.12 The dog wearing a collar or any other item in the ring.
- 8.7.13 The handler stopping the dog on the course (unless instructed by the Judge), i.e. withdrawing from the Class.
- 8.7.14 Dog fouling the ring at any stage during the exercise, i.e. from the moment it enters the ring to start its run, until it leaves the ring on leash after the run is completed.
- 8.7.15 The dog leaving the course area, while appearing to be inattentive to the handler. If the judge determines that the dog is outside the ring area, but is still trying to work for the handler, then he will give no faults.
- 8.7.16 The dog being out of control, as viewed by the judge. The judge may choose to eliminate a dog for being out of control at any time that the judge feels that the dog is not trained to a level to perform the obstacles in a safe manner, thereby endangering the dog itself, the handler, or any other person or dog at the event.

## **9. RESULTS.**

- 9.1 Competitor's Score.
- 9.1.1 As each dog completes the exercise the score must be entered on a score sheet before the next competitor commences. Results must be posted on a board or similar item that is accessible to the competitors.
- 9.1.2 Scores may not be changed subsequently except to correct arithmetical errors or to eliminate a competitor for misconduct in terms of Paragraph 6.4.2.2.
- 9.2 Placing of Dogs.  
The total faults are taken into account (course faults + time faults).  
In cases where the total faults are the same, the fastest dog will be placed highest.  
In cases where the total faults and the times are the same, the Judge shall have a run-off to determine the placing.
- 9.3 Announcement of Results.  
After the scores have been totalled and winners decided, the Judge shall announce the winner, any awards of Qualifying Points and the scores of other competitors placed.
- 9.4 Completion of Dogs' Record Books.  
At the conclusion of the Class, it is the responsibility of the Judge to complete the record books of the dogs that have qualified or been awarded Qualifying Points towards championship status. All qualifications must be recorded – handlers may not withhold or remove record books to prevent them from being completed. The particulars of the trial, the dog's score and the appropriate placing must be entered in the record book, which must also be signed by the Judge.
- 9.5 Issuing of Champion Status Certificates.  
For dogs that have been awarded the required number of points for any of the Champion Status', the onus will be on the Handler to submit a copy of the Dog's Record Book to the local Regional Director, who will verify the dog's qualifications and apply with the SADAA Administration Manager for the issue of the relevant Certificate. The dog's title will be recorded on the SADAA database.

## **10. TRAINING AND QUALIFICATION OF JUDGES.**

- 10.1 Interested persons should be encouraged to become involved with judging (under supervision) of non-qualifying events (such as IAL, leagues and games) and will be known as a Learner Judge.
- 10.2 Any persons wishing to become judges must have assisted at trials as scribe, scorer or timekeeper for at least a year.
- 10.3 Prospective judges must attend a training course covering the rules, judging techniques and course design. The training course and the trainers must be approved by the SADAA Board, who will give permission for courses to be held as and when necessary.  
Prospective judges will then take a written examination on the rules, as well as practical examinations on course design and judging of five dogs over a full agility course.
- 10.4 Once the prospective judge has qualified with not less than 80% overall, he/she will be considered a Junior Judge, and will be permitted to judge at Club Trials.
- 10.5 For each judging appointment the Junior judge must submit his/her course designs to a Senior Judge for checking prior to the day of the trial, and a Senior Judge must be present to supervise the Junior Judge. The Senior Judge must complete a Judge's Assessment Form for each appointment, which must be submitted to the Regional Director and the Board.
- 10.6 Once the Senior Judge is satisfied that a Junior Judge is sufficiently experienced and capable of judging at a Regional Trial, this will be reported to the Board, who will promote the Junior Judge to a Senior Judge.

## **11. COURSE DESIGN.**

### **AIMS OF GOOD COURSE DESIGN.**

- 11.1.1 The aim when designing an Agility or Jumping course is to achieve a balance between the control over the dog, avoiding faults on the obstacles and the speed with which the course is negotiated. A well-designed course will flow and allow a dog to go round smoothly and safely.
- 11.1.2 The design of the course is left entirely to the Judge's imagination but must change direction at least twice.

- 11.1.3 The difference in the courses used for the different Classes (Agility 1, Agility 2 and Agility 3 or Jumping 1, Jumping 2 and Jumping 3) must be determined by both of the following factors:
- The degree of difficulty.
  - The speed (metres per second).
- 11.1.4 Consistency in Course Design.  
To maintain consistency and a high standard of Course Design in SADAA, all judges will be evaluated by one or more senior judges present at Regional or Club trials. These judges will be appointed by the board. The judges' evaluation form will be sent to the SADAA Board for observation. If it is the opinion of the board that a judge is not maintaining the required standard then that judge will be asked to judge only at club trial level until the board feel that the judge has improved, only then can that judge be appointed to judge a regional trial.
- 11.2 RESTRICTIONS IN COURSE DESIGN.**
- 11.2.1 GENERAL.**
- 11.2.1.1 The Weave Poles are to be negotiated only once during a test.
- 11.2.1.2 The approach to the Tyre and the Long Jump must be in a straight line.
- 11.2.1.3 The distance between two consecutive obstacles must range from 5 to 7m. This represents the distance that the dog will cover between two obstacles.
- 11.2.1.4 The length of the course will be from 100 to 200m.
- 11.2.1.5 The "Start" and "Finish" poles and electronic timing device (if applicable) must be set up a maximum of 1m from the first and last obstacles.  
The "Start" and "Finish" poles must be set up a minimum of 5m from the ring boundary.  
Those obstacles specifically excluded in Section 12.2 may not be used in the Tiny dog classes.
- 11.2.2 **AGILITY COURSES:**
- 11.2.2.1 An Agility 1 course will have a maximum of three Contact Obstacles.  
Agility 2 and Agility 3 courses will have a maximum of four Contact Obstacles, at the Judge's discretion.
- 11.2.2.2 Contact obstacles must not be the first or the last obstacles in a course.
- 11.2.2.3 The course must contain a minimum of fifteen and a maximum of twenty obstacles, including at least seven jumps.
- 11.2.3 **JUMPING COURSES:**
- 11.2.3.1 Only the obstacles mentioned in Paragraph 12.1.2 may be used.
- 11.2.3.2 The course must contain a minimum of fifteen and a maximum of twenty obstacles, including at least nine jumps.

## **12. SPECIFICATIONS OF THE OBSTACLES:**

### **12.1 GENERAL.**

#### 12.1.1 Agility only (Contact Obstacles):

- A-Frame
- Dog Walk
- See-Saw

#### 12.1.2 Agility and Jumping:

- Jumps
- Cloth Tunnel
- Rigid Tunnel
- Weave Poles
- Long Jump
- Tyre
- Wall Jump

#### 12.1.3 All obstacles must be sturdily constructed, so that they will be safe and reliable when used by dogs of all sizes.

Contact obstacles must always provide good traction for the dogs without being too rough as to injure the dog's feet. Surfaces must be maintained on a regular basis so that the dogs will not slip when performing these obstacles.

### **12.2 DESCRIPTION AND DIMENSIONS.**

Obstacles must comply with the following measurements and specifications (refer to Section 12.3 for diagrams of the Obstacles):

#### 12.2.1 The A-Frame.

The A-Frame consists of two ramps, securely joined or hinged at the apex. When set at maximum height, the angle at the apex must be 105 degrees. The length of the planks should be between 260cm – 280cm. Chains or other support devices must be securely fastened to the side walls of each ramp, at least 65cm from the ground (to allow the rigid tunnel to be placed under the A-Frame).

Width of ramps: 90cm at the apex and bottom and optionally it may slant wider to a maximum of 115cm at the bottom.

The height of the apex from the ground must be:

- 1,7m (Angle at apex = 105 degrees) for the Maxi, Medium, Mini and Toy size categories.
- 1,5m for tiny Dogs.

Each ramp must have rounded anti-slip slats at 25cm intervals, but not within 10cm of the line indicating the contact area. The slats must be from 5 to 10mm high.

The last 1,06m from the bottom of each ramp must be a different colour (on the sides as well) to indicate the contact area.

The top of the A-frame must not present any danger to the dogs and must be covered if necessary.

#### 12.2.2 The Dog Walk.

The Dog Walk consists of one horizontal cross-plank and two ramp-planks. The planks must be 3,6m long and 30cm wide.

The top surface of the cross plank must be raised 1,2m above the ground, supported by a rigid support at each end of the plank.

Each ramp must have rounded anti-slip slats at 25cm intervals, but not within 10cm of the line indicating the contact area. The slats must be from 5 to 10mm high.

The last 90cm from the bottom of each ramp must be a different colour (on the sides as well) to indicate the contact area.

- 12.2.3 The See-Saw.  
The plank must be 3,6m long and 30cm wide.  
The height of the central bracket from the ground must be 60cm.  
The last 90cm from the bottom of each side of the plank must be a different colour (on the sides as well) to indicate the contact areas.  
The obstacle must be stable and the plank must have a non-slip surface. However, it must not be equipped with anti-slip slats.  
For the Mini, Toy and Tiny Dogs an additional weight may be attached to the See-Saw to ensure that it will start tipping before the dog reaches the descending contact area.
- 12.2.4 Jumps.  
Uprights with or without wings are permitted. The uprights must be sturdily constructed and stable.  
The crossbars must be displaceable, but must not be too light so that they can be easily dislodged by wind, etc. The crossbars must not be made of metal.  
The crossbars must be striped with light and dark colours in equal proportions.
- 12.2.4.1 Single Jumps:  
Height:  
  - Maxi Dogs: 65 cm
  - Medium Dogs: 55cm.
  - Mini Dogs: 40cm
  - Toy Dogs: 30cm.
  - Tiny Dogs: 20cm.Minimum width between the uprights: 1,20m.
- 12.2.4.2 Spread Jumps:  
Two single jumps placed together form a double spread jump.  
The crossbars must be placed in ascending height order. The rear crossbar must be from 20 to 25cm higher than the front crossbar.  
Spread Jumps are not permitted in the Tiny Dog category.  
Height of the rear bar:  
  - Maxi Dogs: 65cm.
  - Medium Dogs: 55cm.
  - Mini Dogs: 40cm.
  - Toy Dogs: 30cmMaximum depth (the distance between the two jumps):  
  - Maxi/Medium: 40cm - 60cm
  - Mini/Toy: 25cm - 30cm
- 12.2.5 The Cloth Tunnel.  
The entrance must be of rigid construction and 90cm long.  
The entrance must be 60cm high and from 60 to 65cm wide.  
The exit chute must be made of supple material and be 3m long. (The total length of the obstacle must be 3,9m).  
The diameter of the chute must be from 60 to 65cm.  
The exit of the cloth chute must be securely pegged to the ground not more than 50cm apart to allow for bigger dogs to exit the tunnel without restriction. The cloth tunnel must be replaced by any other obstacle/s in extreme wet conditions.
- 12.2.6 The Rigid Tunnel.  
The rigid tunnel must be fully enclosed except for the openings at each end and be capable of being curved to the extent that it is not possible to see through the tunnel from one end to the other. Heavy commercial ducting is the recommended choice.  
Length: From 3 to 6m.  
Diameter: 60cm.
- 12.2.7 The Weave Poles.  
Number of poles: 12 to comprise one obstacle only.  
The poles must be at least 1m in height.  
The poles must be separated from each other by a distance of 60cm(outside diameter) and must be in a straight line.  
The top of the poles must be rounded or covered for protection.  
The ends of the base plate must be securely pegged to the ground.  
The base plate should ideally not be wider than 10cm and thicker than 6mm and preferably have stabiliser bars on at appropriate distances to assure that they are safe and secure.
- 12.2.8 The Long Jump.

The long jump consists of five units of which two (2) to five (5) separate units must be used for Maxi, Medium, Mini and Toy Dogs.

For Tiny Dogs the obstacle only consists of one unit. The lowest unit should be used.

Overall jump length:

- Maxi Dogs: 1.5m.
- Medium Dogs: 1.2m.
- Mini Dogs: 90cm.
- Toy Dogs: 50cm.
- Tiny Dogs: 15cm.

Width of the jump: 1,2m minimum.

Height of the highest unit: 28cm.

Height of the lowest unit: 15cm.

Depth of each unit: 15cm slightly slanting upwards.

Corner Poles: Poles with a minimum height of 1,2m and a minimum diameter of 20cm must be placed at all four corners. The top of the poles must be rounded or covered for protection. The corner poles must not be fixed to the jump units. The corner poles can be free standing or fixed into the ground with a sharp point (nail) not longer than 15cm.

12.2.9

The Tyre.

The Tyre Jump consists of a tyre-like hoop suspended within a sturdy frame by chains or ropes (fixed attachments are not allowed). The hoop may be a tyre, a piece of flexible drainage pipe curved to form a circle, or similar suitable material. If a tyre is used, the inner part must be filled for safety reasons. The tyre must be adjustable in height. The tyre may not only be black or white in colour but must be painted in different colours to make it more visible. If bungee ropes are used they must be fastened securely and may not cause a sling slot effect if a dog should get tangled in the tyre.

Size of inside diameter: From 50 to 60cm.

Height of the centre of the opening from the ground:

- Maxi Dogs : 80cm
- Midi Dogs : 75cm
- Mini Dogs : 55cm
- Toy Dogs : 40cm

Tiny Dogs: Maximum height of the bottom of the opening from the ground – 20cm. If the thickness of the tyre is close to 20cm the tyre may rest on the ground. No part of the frame may be visible through the opening.

12.2.10

The Wall

The Wall is not permitted in the Tiny Dog category.

Height: Maxi Dogs: 65cm.

Medium Dogs: 55cm.

Mini Dogs: 40cm.

Toy Dogs: 30cm.

Minimum Width: 1,2m.

The thickness of the wall must be approximately 20cm.

The wall must have displaceable units on the top.

**13.**

### **SADAA NATIONAL TRIALS.**

SADAA National Trials will be staged every year to determine the SADAA National Agility Dog of the Year.

13.1

#### TIMING AND VENUE.

The National Trials will be hosted at the Knysna Oyster Festival (July) every year. National Trials will be held in conjunction with the Regional Trials.

13.2

#### QUALIFYING CRITERIA.

13.2.1

During the year leading up to the SADAA National Trials dogs will be awarded points for their performances in Agility 3 and Jumping 3 Classes at Regional Trials. In order to qualify for the Nationals a dog must have competed in at least three RT's, this is irrespective to the rule in paragraph 5.3.4 pertaining to the point allocation system for championship status's only. The cut-off date for scoring points will be one (1) month prior to the National Trials. All points scored in the preceding period will be used to determine the dogs that will be invited to the Trials.

The points from at least 3 RT's will count towards a dog being invited to the National Trials, i.e. a dog attending only two RT's in a cycle will not be eligible for invitation. A cycle is from 30 June to 1 July every year. To be invited to compete at the SADAA National Trials a dog must accumulate 60 points during the qualifying period. At least 30 of the points must be gained in Agility events, i.e. a dog accumulating 40 points in Jumping events and 20 points in Agility events will not be eligible.

13.2.3

Points will be allocated as follows:

Fifteen (15) points for each win (clear round) in Agility or Jumping 3 at Regional Trials

Fifteen (15) points for each clear round in Agility 3 or Jumping 3 at Regional Trials.

Twelve (12) points for each round with (five) 5 course faults in Agility 3 or Jumping 3 at Regional Trials.

Ten (10) points for each round with (ten) 10 course faults in Agility 3 or Jumping 3 at Regional Trials.

13.3

#### ADMINISTRATIVE AND ORGANISATIONAL DETAILS

13.3.1

The National qualifiers will be sent a letter of invitation by SADAA Central Administration. Qualifiers need to confirm their intent for entry by completing a National Trials entry form. The form can be obtained from your Regional Director or downloaded from the SADAA website. The form must be submitted with any other entry forms to the Regional Director of the region.

- 13.3.2 The Regional Director or any appointed person by the RD will appoint a Scorer for the handling of all results of the National Trials. The scorer should be fully conversant in the scoring of the Nationals.
- 13.3.3 The SADAA Board will be responsible for or may appoint helpers who will assist with all functions regarding the hosting of the National Trials.

13.4 **FORMAT OF THE NATIONAL TRIALS.**

**The SADAA National Agility Dog of the Year.**

National Trial Qualifiers will get preference for entering the trials of the weekend. A official game trial (snooker or gamblers) will be staged on the Friday morning and may be entered by any interested handler, but must be attended by the National Qualifiers.

**Friday Afternoon:**

One round of Jumping (Preliminary Round 1). Also first round Jumping of first RT of the weekend.

**Saturday Morning:**

One round of Agility (Preliminary Round 1). Also first round Agility of first RT of the weekend.

**Saturday Morning:**

One round of Jumping (Preliminary Round 2). Also second round Jumping of the second RT of the weekend.

**Saturday Afternoon:**

One Round of Agility (Preliminary Round 2). Also second round Agility of the second RT of the weekend.

**Saturday Afternoon:**

One round of Jumping (Final Round). Also third round Jumping of the third RT of the weekend.

**Sunday Morning:**

One round of Agility (Final Round). Also third round Agility of the third RT of the weekend.

The scoring of the National Qualifiers will be based and calculated on the ICFS Maximum Standard Course Times, putting these dogs and handlers in a class of their own. The faults, times and combined total score for each preliminary round and the faults, times and combined total score of the Final Round will determine the winners. The competition will be judged by three reputable senior judges.

13.5 **TIMING**

13.5.1 For the purpose of the National Trials courses must be completed by the dog within a predetermined time, the Standard Course Time (SCT). These times will equal the Maximum SCT of the IFCS with the exception of the tiny dog class which is also measured in a slightly higher speed in meters per second.

13.5.2 The table in paragraph 13.5.4 lists the speeds for the different height classes. The speed in metres per second chosen for the course will determine the SCT.

13.5.3 The speeds for Maxi, Medium, Mini, Toy and Tiny Dogs in metres per second are as follows:

<b>Agility (metres/sec)</b>					<b>Jumping (metres/sec)</b>				
AG	(Maxi/Medium)	Mini	Toy	Tiny	JP	(Maxi/Medium)	Mini	Toy	Tiny
	3,40	2,95	2,80	2,60		4,50	4,00	3,65	3,50

13.5.5 Bitches in heat are eligible for entry in the National Trials should such a dog be a qualifier. This dog would run last in its height class and the handler has to make sure that the dog is kept away from all other dogs and not be a distraction to other dogs.

13.6 **Fun Events.**

Fun events should be included at the organisers' discretion and where time permits.

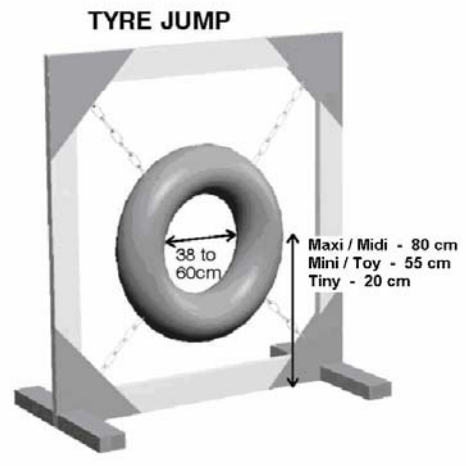
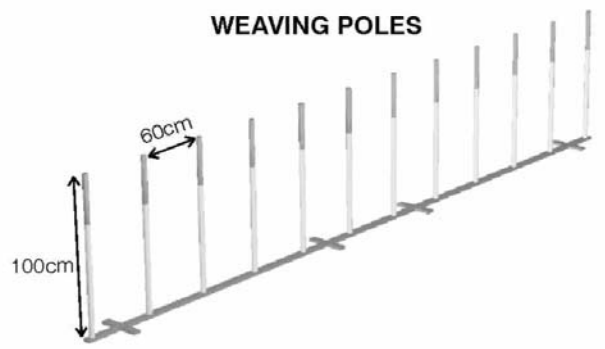
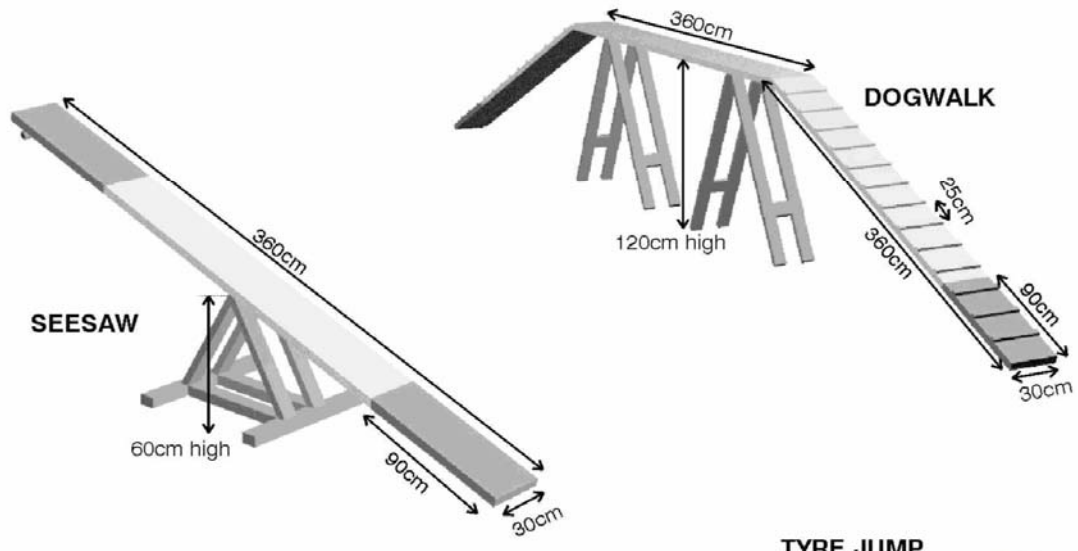
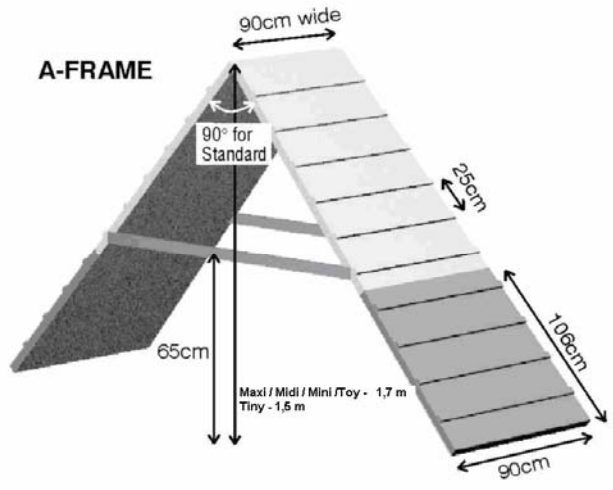
**14. INTER- CLUB CHALLENGE.**

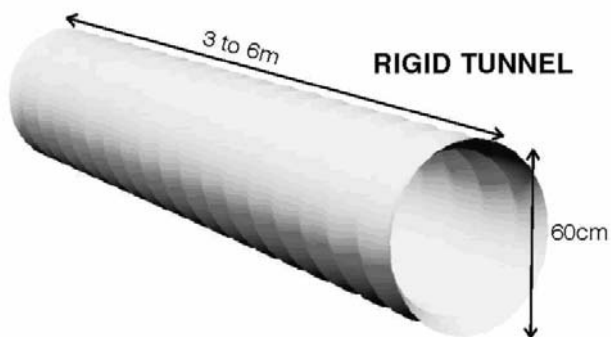
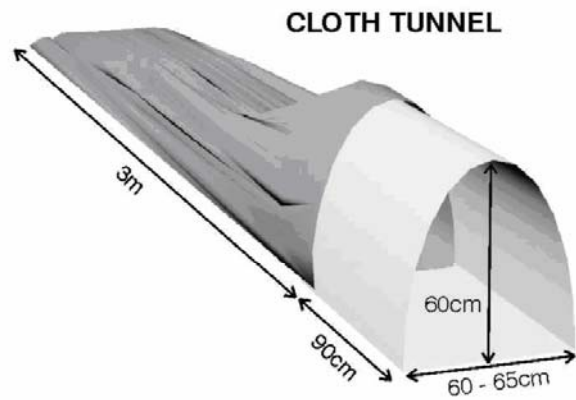
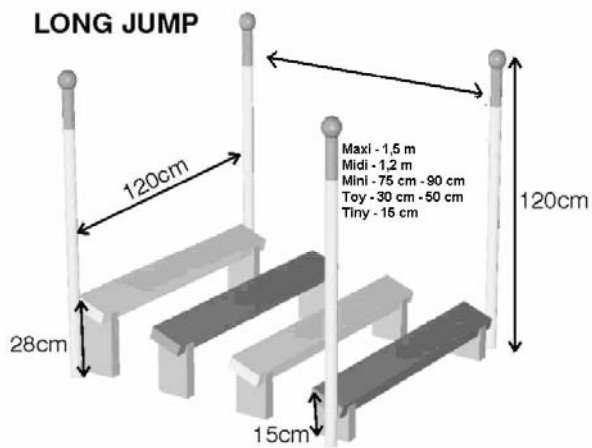
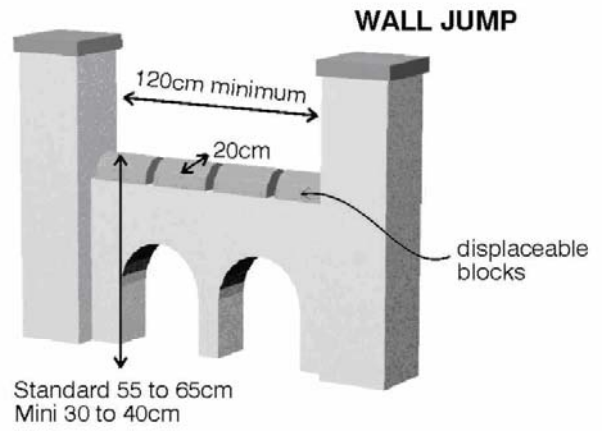
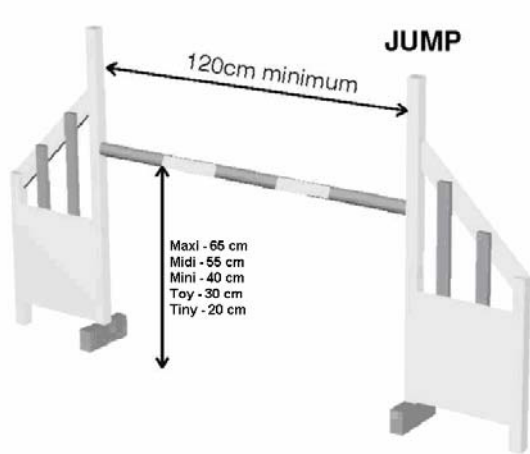
14.1 A Inter- Club Challenge can be held at the discretion of the hosting region on the same weekend as the Regional Trials. Teams will consist of 3 dogs from any height category from a specific club or in the case of a region, consisting of only one club. More than one team per club or region can be entered. Dogs have to be in both the Agility and Jumping 3 classes to enter. Their performance over all trials will count in determining the winning Teams.

14.2 Regions wishing to host the event should submit their proposals to the Board 2 months before the event.

# APPENDIX 1

## THE OBSTACLES





Illustrations courtesy of Pascal Peng

## ADDENDUM 1 – November 2008



### IFCS QUALIFICATION REGULATIONS v2.

#### As set forth by the South African Dog Agility Association

#### 1. Introduction

This document focuses on the scoring system for determining the most suitable dog/s to represent South Africa at the IFCS World Agility Championships. The World Championships are hosted every two years and usually in the month of May. The period for scoring may differ from time to time.

#### 2. Timing and venue

Regional/National Trials will be scheduled throughout the SADAA year (example: 2006/2007) in the currently 5 established regions as determined by the board of SADAA.

#### 3. Qualifying Criteria

##### 3.1 Regional Trials:

- 3.1.1 Dogs will be awarded points for their performance in all Agility and Jumping 3 Classes, per height category at all Regional Trials in that year.
- 3.1.2 The maximum IFCS Standard Course Times (see figure 1) will be set as basis for scoring points, in order to ensure that the dogs eligible for selection adhere to the performance standards of IFCS.
- 3.1.3 Dogs must have competed in at least three (3) RT's of the total number of RT's per year cycle in order to become eligible for selection. The best three(3) RT scores per dog will count. The rest will be discarded in the case of dogs attending more than three(3) RT's.

##### 3.2 National Trials:

- 3.2.1 The SADAA National Dog of the Year per dog height category will score five(5) bonus points for winning the title.
- 3.2.2 The dog placed second will score three(3) bonus points.
- 3.2.3 The dog placed third will score one(1) bonus point.
- 3.2.4 Winning the SADAA National title will in no way be grounds for selection. The dog/s will score the bonus points as recognition for their performance in the Nationals which will be added to their overall scores in determining the dogs for selection.

Figure 1.

Agility(metres/sec)			Jumping(metres/sec)		
Maxi / Midi	Mini	Toy	Maxi / Midi	Mini	Toy
3,40	2,95	2,80	4,50	4,00	3,65

#### 4. Scoring of Points

##### 4.1 Regional Trials

- 4.1.1 15 Points for a clear round.
- 4.1.2 Additional time bonus points for the SCT time beaten. This may vary.
- 4.1.3 12 points for 5 fault rounds, i.e total faults.
- 4.1.4 10 points for 10 fault rounds, i.e total faults.

## **4.2 National Trials**

- 4.2.1 5 points for the National Title winner.
- 4.2.2 3 points for 2<sup>nd</sup> place.
- 4.2.3 1 point for 3<sup>rd</sup> place.

## **5. Calculation of points**

- 5.1 The altered scores per dog height category will be transferred to a spreadsheet for all the abovementioned rounds, i.e all Agility and Jumping rounds. The total score per Regional Trial per dog is then sorted according to the dog with the highest to the lowest score. Once this is determined the following three calculations will be done:
  - 5.1.1 Sorted in a new sheet using only the best three(3) RT scores per dog height category for Clear, 5 fault rounds and 10 fault rounds. This will give you a total point per dog and is sorted from the highest to the lowest score.
  - 5.1.2 Sorted in a new sheet using only the best three(3) RT scores per dog height category for Clear and 5 fault rounds. This will give you a total point and is sorted from the highest to the lowest score.
  - 5.1.3 Sorted in a new sheet using only the best three(3) RT scores per dog height category for Clear Rounds only. This will give you a total point and is sorted from the highest to the lowest score.
- 5.2 Finally the scores per dog from 5.1.1 to 5.1.3 above plus the bonus points for National Placing are added up for a final total score and then sorted from the highest to lowest score.
- 5.3 The dog/s per height category with the three(3) highest scores will be the most suitable for selection.

## **6. Representation at IFCS World Champs**

- 6.1 SAWDA/SADAA being a full member with IFCS is entitled to send three dogs and handlers per height category to represent South Africa.
- 6.2 The top three (3) dogs per height category are the most suitable candidates for selection based on their actual performance at all trials.

## **7. Team competition**

- 7.1 Each country is allowed entry of one(1) or two(2) teams depending on the hosting country.
- 7.2 The SA Team/s will be determined by the board and won't in any way only be based on the placing per dog height category.
- 7.3 A team must comprise of two dogs from one height category (large dogs) and one dog from another (small dogs), i.e two maxi dogs and one Mini or Toy dog, two midi dogs and one mini dog or toy dog and visa versa.

**NB. No dogs will be allowed entry on an individual basis other than the indicated qualifiers per height category.**

## **8. Letter of intent to compete**

Each candidate will be sent a letter of intent to compete. The candidate should complete and sign the form and fax: **[051] 412-7507** it back to the Managing Director. Only once they have indicated their intent to compete will the names of the candidates be published. If a candidate has no intention to compete then

he/she should indicate so in writing to the Managing Director via Fax: **[051] 412-7507** or e-mail: **[juries@statssa.gov.za](mailto:juries@statssa.gov.za)**. The next handler/dog team in line will then have the chance of indicating their intent to compete. Note that the selection process will only be open for and up to the fifth dog per height category but limited with approval thereof from the SADAA Board.

#### **9. SADAA Contribution**

The main aim of SADAA is to send over the top three dogs and handlers per dog height category to represent South Africa, irrespective of their financial status. SADAA will assist financially where possible to send the representatives to the World Champs. The onus is however still on the handler to acquire financial assistance from private organisations/institutions or individuals.

SADAA will account for all the entry fees of the dogs and any fees for formal welcoming functions the handlers has to attend.

#### **10. IFCS Rules**

The onus is on the handler to familiarise him or her with the contents thereof. A copy can be obtained from your Regional Director.

#### **11. Conclusion**

SADAA wishes all successful candidates the best of luck. Go for Gold!!!